

SOMATE SL2100 - High Density Laser Scanner

Specifications

Optical & Performance	
Light Source	Laser diode: 650nm
Scan Rate	90 Scans/Sec
Resolution	0.076mm(3 mil)
Mechanical	
Cable Type	PS/2, RS232, USB Cable
Dimension	L160xW69xH88 mm
Weight	210 ± 20g (with Cable)
Electrical	
Operation Voltage	5 VDC ± 5%
	<850 mA(PS/2)
Surge Power	<1000 mA(USB)
	<950 mA(RS232)
Working Current	<135 mA
Standby Current	<65 mA
Power Consumption (Working)	< 675 mW
System & Software Function	
Symbologies	UPC-A/UPC-E, EAN-8/EAN-13, Industrial 2 of 5, Codabar, Matrix 2 of 5, Code 11, Code 93, Code 32, Code 128, Standard Code 39, Full ASCII Code 39, Interleaved 2 of 5, China Postal Code, MSI Plessey Code, UK Plessey Code, EAN/UCC 128, Telepen Code, IATA Code, RSS Code
Environment & Safety Conformance	
Operating Temperature	0~50°C
Storage Temperature	-20~60°C
Relative Humidity	20%~85%RH (Non-condensing)
ESD Protection	Functional after 4KV contact, 8KV Air discharge
EMC	FCC Class B, CE



SL2100 High Density Laser Scanner

Scan Rate : 90 scans/sec
Resolution: 3 mil
1.5 m shock approval
Ergonomic design

Application:
Retail, Office, Medical,
Warehouse, Inventory
Control, etc.

Agressive Scanning
Performance
for Fast and Accurate
Data Entry Applications.

Authorised Reseller:

Golden Harvest Asset Recovery Pte Ltd
 36 Tuas Basin Link
 Singapore 638770

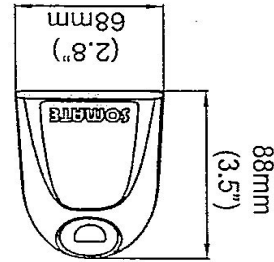
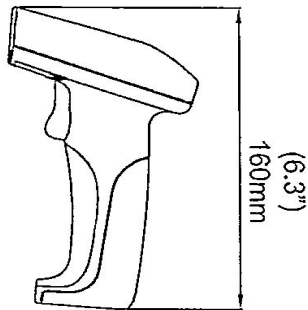
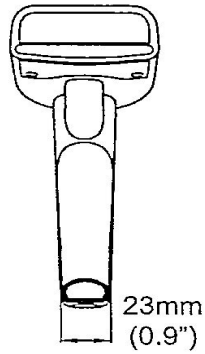
email: sales@barcodetrading.com

visit us at: www.barcodetrading.com

One Year Manufacturer Warranty.

Outer Dimensions

unit : mm(inch)



Scanning Range

unit : mm(inch)

